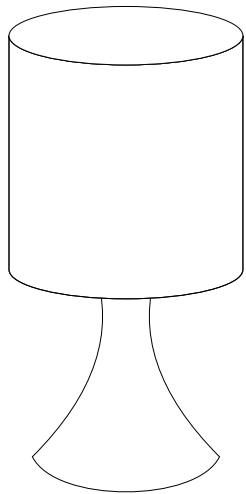
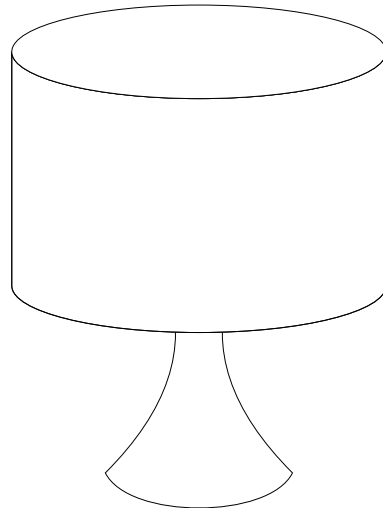


Cake Sizing Guide

SINGLE TIER



5 inch - 8-10 servings
6 inch - 10-12 servings
7 inch - 15-18 servings



8 inch - 20-24 servings
9 inch - 24-30 servings
10 inch - 28-38 servings

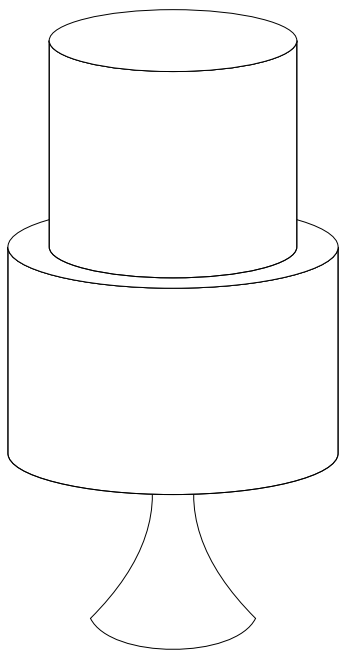
Each tier is approx 5" tall
and 3 layers of cake

Cake Servings are
measured at 1.5" x 2 x 5"
and 1" x 2" x 5"

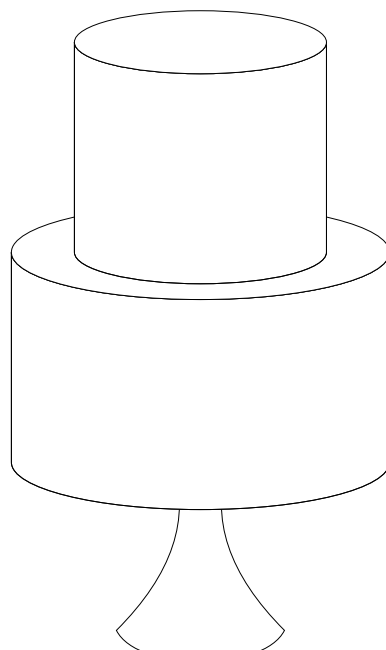
Serving sizes are
approximate

Squares and double
height cakes available
by request

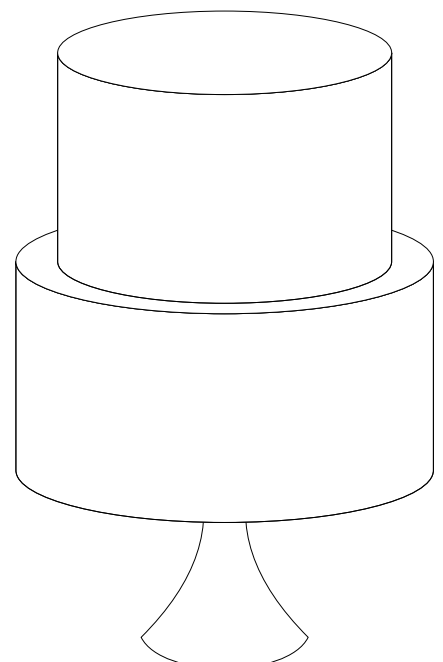
TWO TIER



7"/5" - 22-26 servings
8"/6" - 30-36 servings

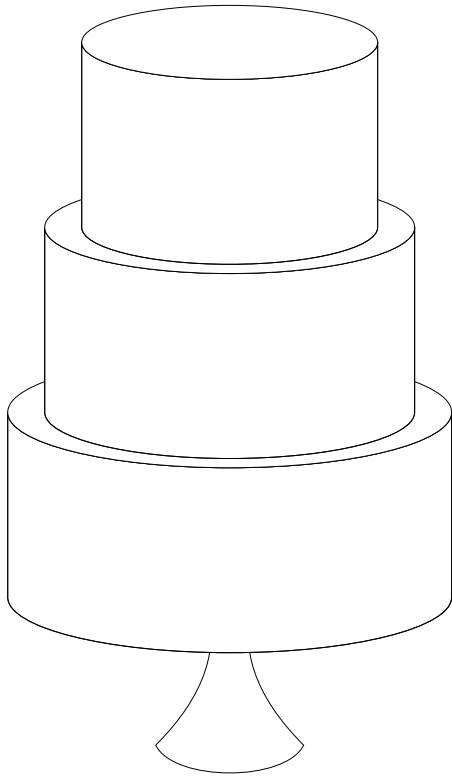


9"/6" - 34-42 servings
10"/7" - 42-56 servings

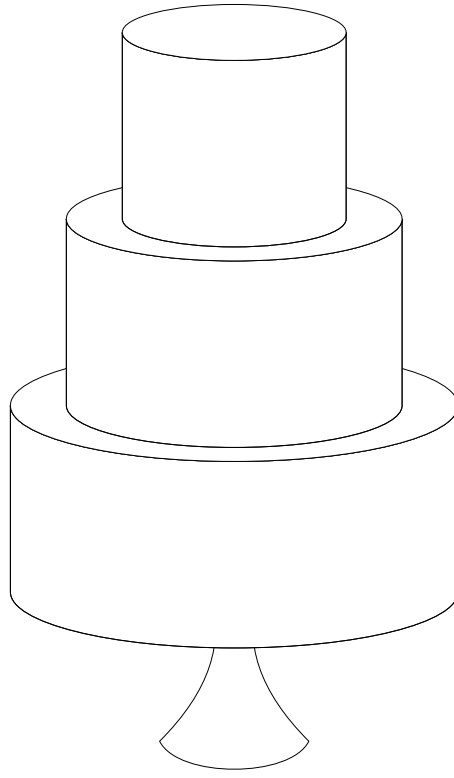


10"/8" - 48-62 servings

THREE TIER



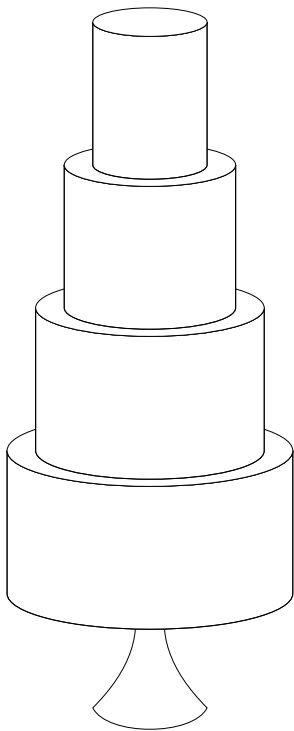
12"/10"/8" - 84-118 servings



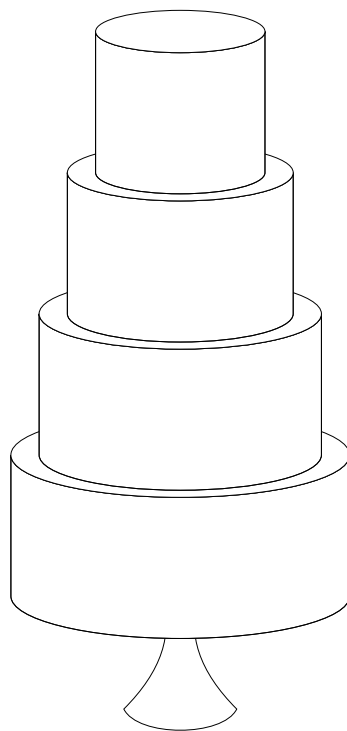
12"/9"/6" - 70-100 servings



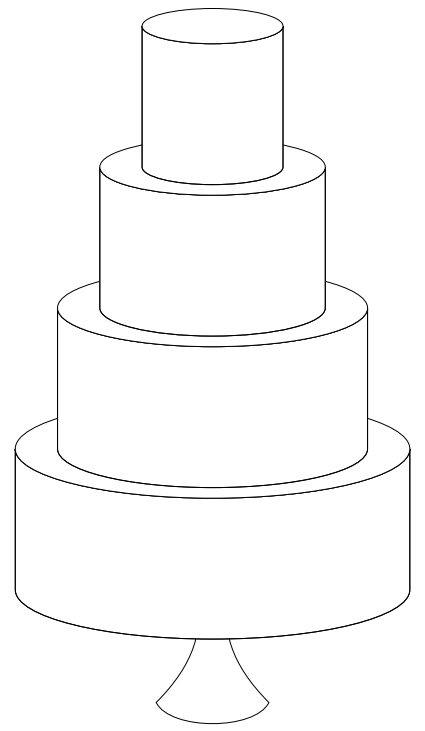
FOUR TIER



10"/8"/6"/4"
64-80 servings

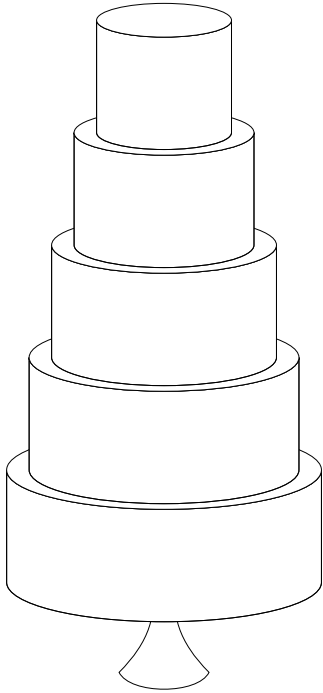


12"/10"/8"/6"
94-130 servings



14"/11"/8"/5"
110-155 servings

FIVE TIER



14"/12"/10"/8"/6"
144-206 servings

